

# Pond Pump eco-X2 10000



**Artikel-No.** 156 / 005002  
**EAN-Code** 40 16881 00868-0

**Technical Data**  
Q max. 11.000 l/h | 183 l/min  
H max. 5,4 m  
Power consumption 110 watts  
Supply voltage 230 V / 50 Hz  
Cable 10 m  
Quality mark CE, TÜV GS  
Impeller Vortex  
Motor asynchronous  
Warranty 5 years (not including rotor unit, part subject to wear)



**Material**  
Pump plastic housing (moulded in synthetic resin)  
Splitting tube, screws stainless steel  
Bearing ceramic  
Cable H07 RN8-F

**Dimensions**  
Pump L x W x H (mm) 360 x 270 x 180  
Board L x W x H (mm) 390 x 290 x 210  
Pumps per pallet 64  
Connection G 1½" - E

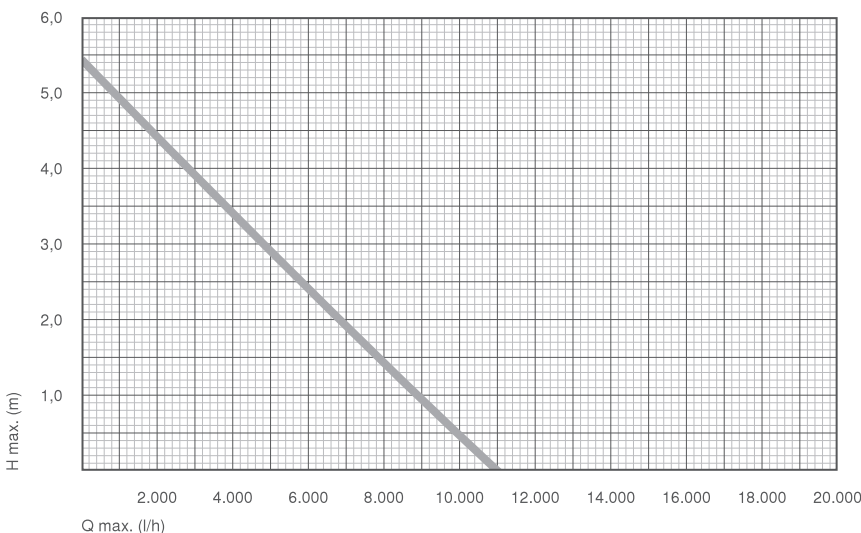
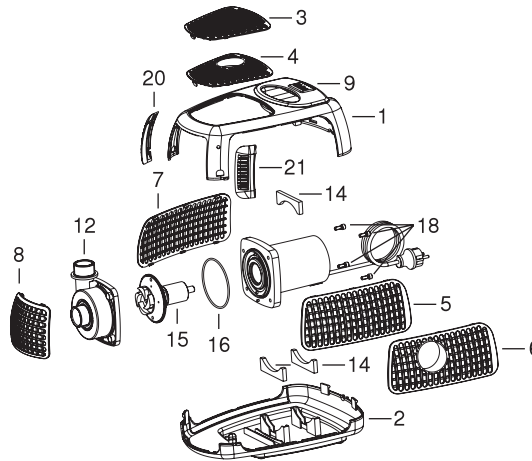
**Scope of delivery**

- Hose Nozzle G 1½" - I – Ø 40/50 **Art.-No. 168 / 002858**
- large variable filter housing

**Accessories optional**

- Speed Governor DS 350 **Art.-No. 168 / 002974** – for stepless adjustment of pump capacity
- Decalcifier for Pumps **Art.-No. 168 / 009115** – Decalcifying detergent for pumps, fittings and underwater floodlights

Spare parts	Art.-No.	
1	104 / 004317	1 x
2	104 / 004318	1 x
3	104 / 003441	1 x
4	104 / 003450	1 x
5	104 / 003442	1 x
6	104 / 003447	1 x
7	104 / 003443	1 x
8	104 / 003440	1 x
9	104 / 003444	1 x
12	104 / 003280	1 x
14	104 / 003452	3 x
15	168 / 009158	1 x
16	112 / 000030	1 x
18	114 / 000048	4 x
20	104 / 004270	1 x
21	104 / 004269	1 x



H (m)	Q (l/h)
0	11.000
1,0	9.200
2,0	7.000
3,0	4.650
4,0	2.700
5,0	1.100
5,4	0